

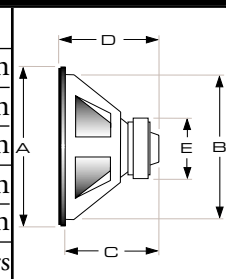
Subwoofer Specifications

	8IB4		10IB4		12IB4	
Fs (free-air resonance):	37.5 Hz		37.5 Hz		40.5 Hz	
Qts (total speaker "Q"):	0.684		0.769		0.634	
Qes (electrical "Q"):	0.744		0.837		0.673	
Qms (mechanical "Q"):	8.484		9.400		10.967	
Vas (equivalent compliance):	1.80 ft ³	50.9 liters	2.93 ft ³	82.9 liters	3.97 ft ³	112.4 liters
Xmax (linear excursion one-way):	0.338 in.	8.6 mm	0.300 in.	7.6 mm	0.288 in.	7.3 mm
Efficiency (1W/1m)*:	87.4 dB		89.0 dB		92.2 dB	
Sd (effective piston surface area):	30.7 in ²	0.0198 m ²	51.8 in ²	0.0334 m ²	78.5 in ²	0.0506 m ²
Re (DC resistance):	6.10 Ω		7.20 Ω		6.07 Ω	
Znom (nominal impedance):	8 Ω		8 Ω		8 Ω	
Pt (continuous thermal power handling):	75 Watts		100 Watts		125 Watts	

*Efficiency (1W/1m) is not an accurate indicator of a subwoofer's output capability and should not be used as a comparison to other subwoofers to determine which one is "louder"!

Physical Dimensions

	8IB4		10IB4		12IB4	
Frame Diameter (A):	8.25 in.	209.55 mm	10.125 in.	257.17 mm	12.125 in.	307.97 mm
Mounting Hole Diameter (B):	7 in.	177.8 mm	9.125 in.	231.77 mm	11.0625 in.	280.98 mm
Mounting Depth (C):	3.875 in.	98.43 mm	5.1875 in.	131.76 mm	5.5 in.	139.7 mm
Overall Depth (D):	4.3125 in.	109.54 mm	5.6875 in.	144.46 mm	5.75 in.	146.05 mm
Magnet Diameter (E):	4 in.	101.6 mm	5.375 in.	136.52 mm	5.375 in.	136.52 mm
Displacement:	0.028 ft ³	0.792 liters	0.05 ft ³	1.414 liters	0.06 ft ³	1.696 liters

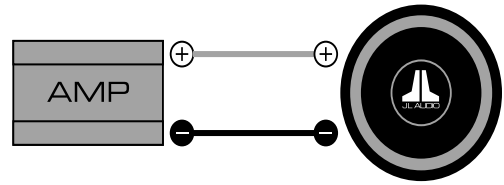


Be sure to allow 0.75 inches (19mm) for pole vent clearance on this driver.

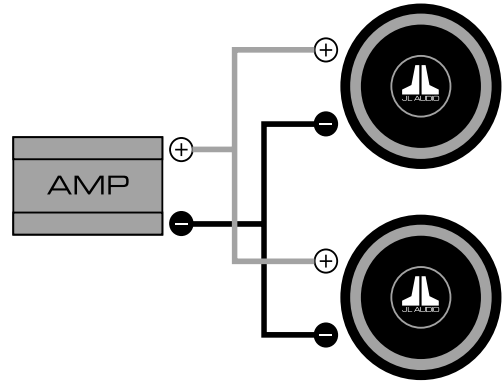
Normal Recommended Enclosures (single driver)

	8IB4	10IB4	12IB4
<p>The IB line of subwoofers have been designed to work in infinite baffle applications. They are also well suited for midbass applications.</p>			

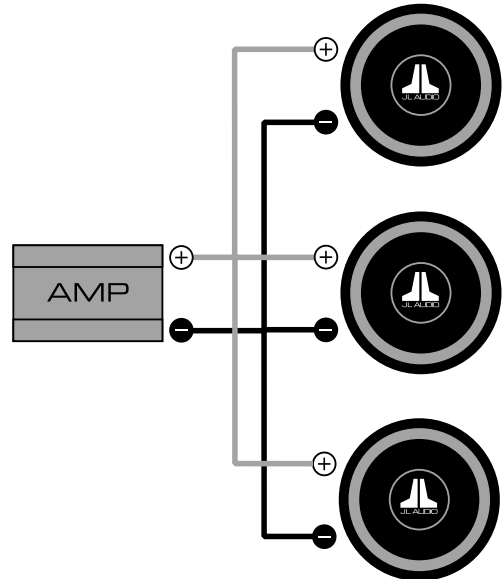
Wired directly to the amplifier:
A single 8Ω speaker will present a 8Ω load.



With speakers wired in parallel:
Two 8Ω speakers will present a 4Ω load.



With speakers wired in parallel:
Three 8Ω speakers will present a 2.7Ω load.



- Do NOT use different impedance speakers when using multiple subwoofers!
- JL Audio recommends using subwoofers as part of a bi-amplified system using high quality satellite speakers like our Evolution line of coaxial and component speakers. We do not recommend the use of passive crossover components (coils) on subwoofers. These components may adversely affect the performance of a subwoofer.
- When dealing with exceedingly long port lengths, we recommend the use of JL Audio's Flex-Port System. The Flex-Port tubing is flexible, allowing it to fit in otherwise tight locations. The Port mouths provide not only a convenient method of securing the port, but a smooth, rounded edge for the port termination as well.